

रेखन कला
DRAWING

(Instruction to Centre Supdt.)

[ONE HOUR BEFORE]

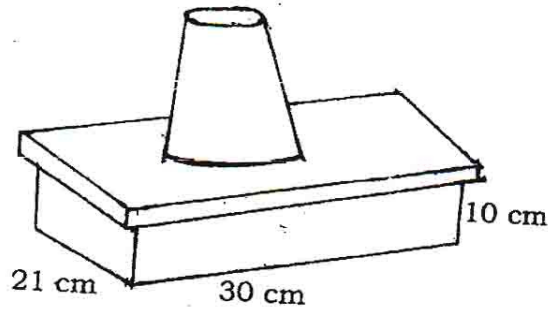
(Academic)

(Only for Fresh/School Candidates)

नोट : रेखन कला के पेपर से एक घण्टे पहले।

One hour before the drawing paper.

1. Please the objects (shoes box and Glass). Like the sketch given below in front of the students for model Drawing (Seat No.4).
2. The objects should be placed below eye level.
3. Seats may be arranged in semi circles of 2 meters and three meters radius and the model to be placed at the centre of semi circles as shown in the rough sketch.



नोट : चारों सेट में मॉडल एक ही होता है।

